



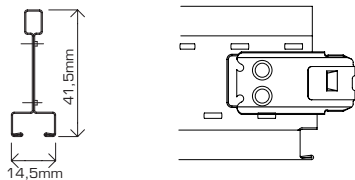
# Data Sheet

## STEEL STRONG EASY LINE

### DESCRIPTION

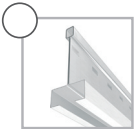

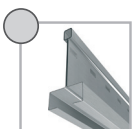
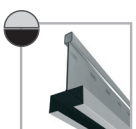
ATENA STEEL STRONG **EASY LINE**  
WITH THE INTERNATIONALLY PATENTED  
**EASY HOOK**

**STEEL STRONG EASY LINE** mixes together the practical side of Atena T grids with the peculiar aesthetical detail of a coloured shutter. This system has been studied to create special optical effects, given by the contrast between colors and shadows.

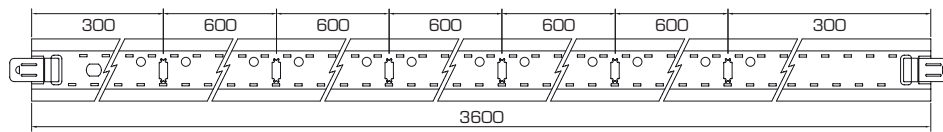


All elements which build up Easy Line T grid have been punched twice to improve its strength and give a higher torsion resistance to the system.

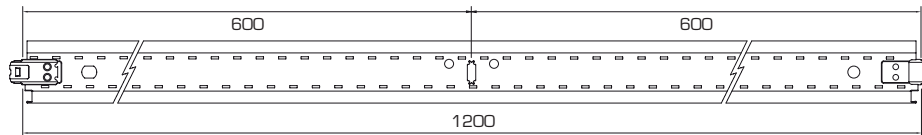
This structure is suitable for tiles with a 8 mm drop.

<b>PRODUCT FAMILY:</b>	Easy Line Visible structure		
<b>MATERIAL:</b>			
<b>HOOK:</b>	EASY model stainless steel 0,40 mm thick.		
<b>STRUCTURE:</b>	0,35 mm prepainted steel		
<b>BOTTOM END CONNECTION:</b>	<b>Main T</b> head to head connection with printed hook. <b>Cross T</b> stainless steel hook		
<b>FINISHING:</b>	Prepainted material on both sides		
<b>COLOURS:</b>			
 WHITE/WHITE	 WHITE/BLACK	 SILVER/SILVER	 SILVER/BLACK
<b>FEATURES:</b>	High traction resistance Quick hooking system Coloured shutter		
<b>PACKAGING:</b>	Light brown boxes with black strip		
<b>CERTIFICATIONS:</b>			
<b>REACTION TO FIRE:</b>	The system complies with EN13964:2014 4.4.2.1 EN 13501 - 1 EUROCLASSE A1		
<b>RELEASE OF DANGEROUS SUBSTANCES:</b>	No release of dangerous substances according to European Law EN 13964:2014		
<b>FLEXION RESISTANCE:</b>	Maximum span mm 1200 - Class 1		
<b>DURABILITY OF POST-PAINTED ITEMS:</b>	Class C		

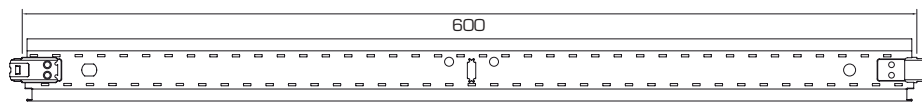
## STRUCTURE



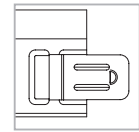
Main T 3600



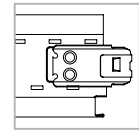
Cross T 1200



Cross T 600



Main T Hook



Easy Hook

Easy Line is available in four models: Standard 600x600, Imperial 610x610, Din 625x625, Francese 675x675.  
Other modules on request.

## SECTION

SECTION			
Length B14,5	3700 mm   3657,5 mm 3750 mm   3375 mm	1200 mm   1219,2 mm 1250 mm   1350 mm	600 mm   609,6 mm 625 mm   675 mm
Incidence 600x600	0,85 ml/m <sup>2</sup>	1,70 ml/m <sup>2</sup>	0,85 ml/m <sup>2</sup>
Incidence 600x1200	0,85 ml/m <sup>2</sup>	1,70 ml/m <sup>2</sup>	/

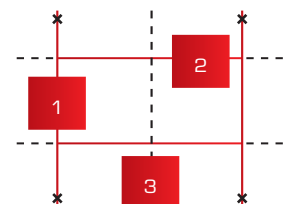
## BEARING CAPACITY

Maximum load = 14 Kg/m<sup>2</sup>  
Maximum deflection = L /360

Lab Test Cert TV

For different inflections, see the following table

MAXIMUM DEFLECTION	L/300	L/360	L/400	L/500
MULTIPLIER	1,2	1	0,9	0,72



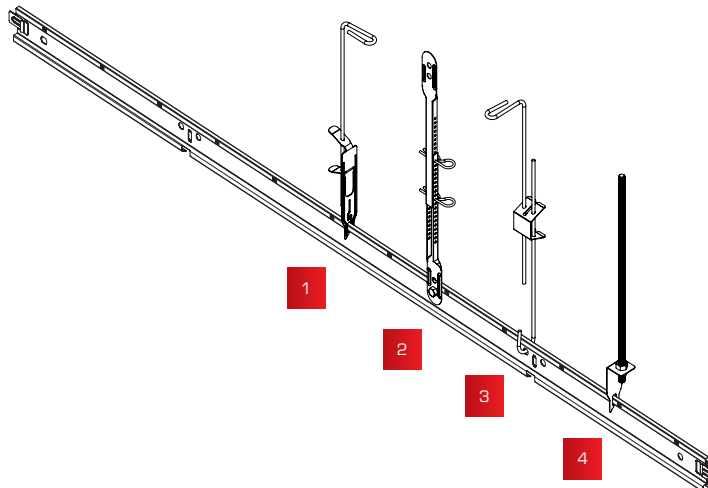
(1) 3600 Main T | (2) 1200 Cross T C | (3) 600 Cross T

## DIMENSION

Code	Length B15 Easy Line	Dimension	Pieces per box	Weight / box	Boxes / pallett	Weight / pallet
STANDARD 600 x 600 model						
RL115360BBIAN	3600 mm	14,5 x 41,5	20	26 kg	36	936 kg
RL115120BBIAN	1200 mm	14,5 x 41,5	40	17 kg	56	952 kg
RL115060BBIAN	600 mm	14,5 x 41,5	40	9 kg	96	864 kg
IMPERIAL 610 x 610 model						
RL115366BBIAN	3657,6 mm	14,5 x 41,5	20	26 kg	36	936 kg
RL115122BBIAN	1219,2 mm	14,5 x 41,5	40	17 kg	56	952 kg
RL115610BBIAN	609,6 mm	14,5 x 41,5	40	9 kg	96	864 kg
DIN 625 x 625 model						
RL115375BBIAN	3750 mm	14,5 x 41,5	20	26 kg	36	936 kg
RL115125BBIAN	1250 mm	14,5 x 41,5	40	17 kg	56	952 kg
RL115625BBIAN	625 mm	14,5 x 41,5	40	9 kg	96	864 kg
FRANCESE 675 x 675 model						
RL115337BBIAN	3375 mm	14,5 x 41,5	20	26 kg	36	936 kg
RL115135BBIAN	1350 mm	14,5 x 41,5	40	17 kg	56	952 kg
RL115675BBIAN	675 mm	14,5 x 41,5	40	9 kg	96	864 kg

## HANGERS

- 1) Twister
- 2) Nonius
- 3) Standard with spring
- 4) 90° hanger

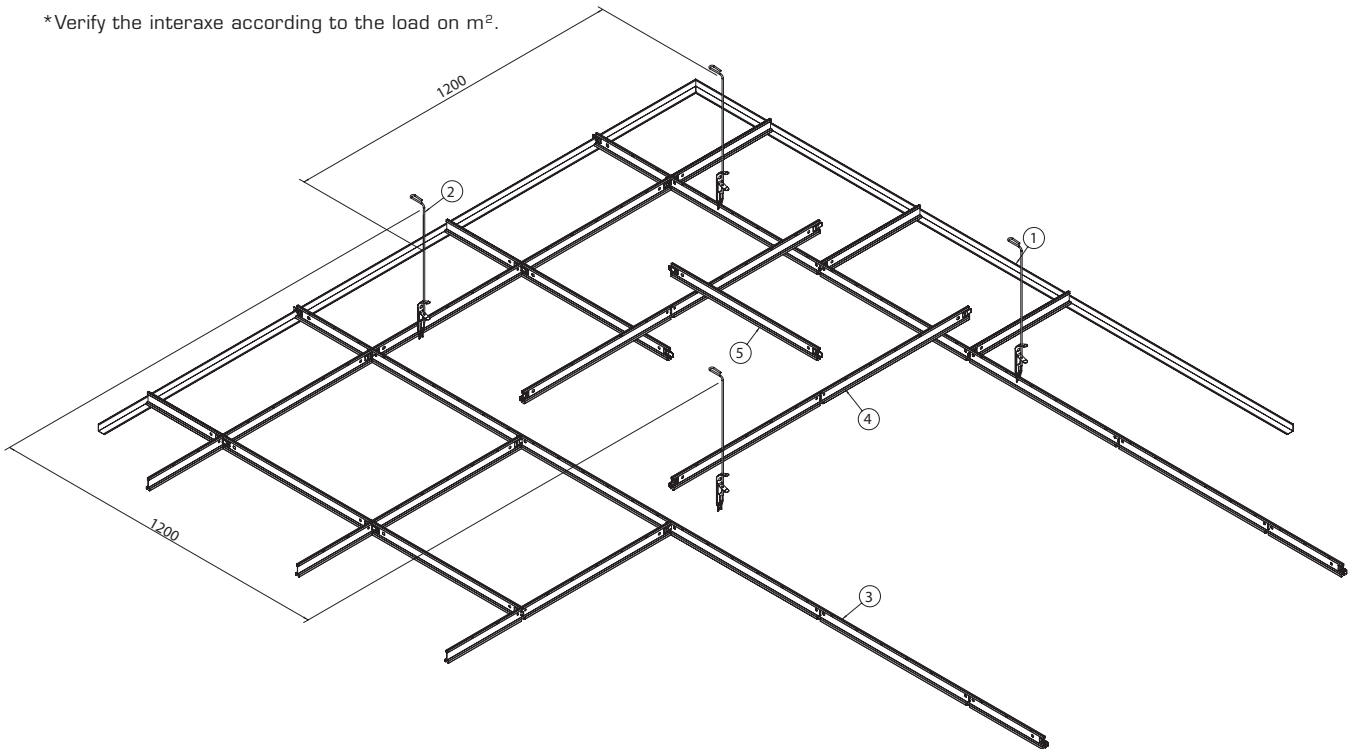


## LAYING INSTRUCTIONS

- Draw the lines of the perimeter frame.
- Determine the height of the ceiling with a level and mark it with a sting.
- Proceed with the installation of the structure:
  1. Install the wall angles with nails, screws and/or plugs suitable to the wall material.
  2. Fix the hangers according to the type of ceiling to be installed.
  3. Install the main runners with an interaxe of 1200 mm\*.
  4. Proceed with the installation of 1200 mm Cross T profiles into the main carrier.
  5. Install 600 mm Cross T into 1200 mm Cross T profiles.

To set up a proper coupling of the structure, hold the left side of the punched profile and press slightly to snap the clip into place. The click ensures the proper attachment of the structure. To release, press the tab of the locking clip and remove the profile.

\*Verify the interaxe according to the load on m<sup>2</sup>.



## STORAGE MODE

In order to guarantee to customers the realization of a perfect false ceiling, materials supplied by Atena S.p.A. shall be maintained in good conditions from purchase to installation.

They must be stored in a closed, clean and dry site.

Atena S.p.A. protects its products with resistant packaging under normal handling.

Please handle packages with care to avoid shocks and inappropriate handling that might damage what is provided.

Tiles are packaged in brown cardboard boxes with stripe and delivered on pallets secured with cellophane.

The manual handling must be carried out with caution and in compliance with safety regulations at work.

For carriage of packaged products on pallets, provide a mechanical transport to avoid damages or risks resulting from inadequate transport.

## CLEANING, MAINTENANCE AND REMOVAL

---

Cleaning and maintenance require some attention and care even though are easy to make and don't take much time. It is necessary to use neutral and not aggressive soaps. In case of any damage, tiles can be repainted or replaced.

False ceilings maintenance usually refers to:

placing, alignment or replacement of damaged or broken tiles. Panels can be also removed for restoration or maintenance of the system below.

The maintenance work shall be appointed to: specialised workers trained with technical data sheets about setting, removal and maintenance of the false ceilings, in order to ensure excellent results.

The tiles shall be taken off simply by pushing them upwards from the T grids and turning them to one side for an easy removal.

Using inadequate tools can damage the structure, causing adherence loss or even accidental panel fall. All the maintenance intervention must follow the technical data sheet indication and every noted diversity has to be promptly reported.

Each worker assigned with maintenance operation must carefully remove the tile, perform the intervention and do not alter the false ceiling structure, the hanging system and the connection between these elements.

When the maintenance is over, install again the panels, verifying that the tiles are properly laid on the T profile and the planarity is guaranteed. Any difference in tiles level is caused by wrong installation and, for this reason, they must be quickly controlled.

## LAWS REFERENCE AND WARRANTY

---

Each Atena false ceiling is produced for internal use according to the technical rules for construction EUROCODICE and the specific regulations UNI EN 13964:2014, 14195:2005.

Each Atena S.p.A. product has its own DOP (Declaration Of Performance) CE according to the European Law 305/2011.

False ceilings and claddings for internal and external use have to be dimensioned on environment features, to list some of the possible examples: earthquakes, wind, thermal expansion, place of installation, use destination of the building and project requests.

Independently by information, suggestions, advices and technical opinions exchanged between the parts, Atena S.p.A. will produce its products only according to the orders received and the technical drawings/projects attached, having no responsibility on what is not indicated in the order, in the technical drawings or in the project.

Atena S.p.A., as producer, is responsible for manufacturing defects. Complaints have to be presented according to the selling conditions. Materials used for Atena false ceilings have been produced just with this purpose, every other use is considered improper.